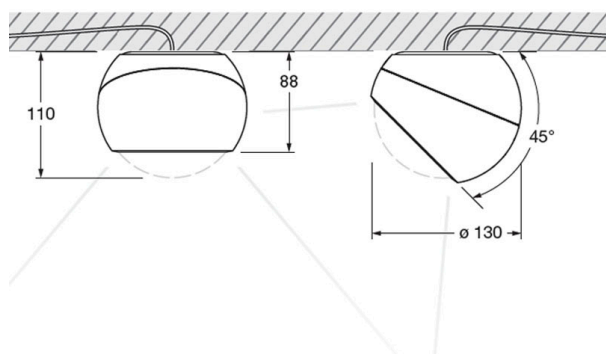




3



Sito Giro Ceiling Light

Description –

LED ceiling luminaire for exterior with spherical head and single-sided light output. Available either with spherical glass (Sito) or flat glass (Sito R) with internal lens, the lighting effect can be decided upon purchase. Thanks to the almost invisible division of the two halves of the sphere, it is pivotable by up to 45° on the vertical axis.

The ceiling luminaire complies with protection class IP65 and is thus dust-tight and jet-proof. Version for surface mounting, connection to 230 V (AC) mains voltage (VOLT light engine), dimmable via trailing-edge phase-cut dimmer*.

General –

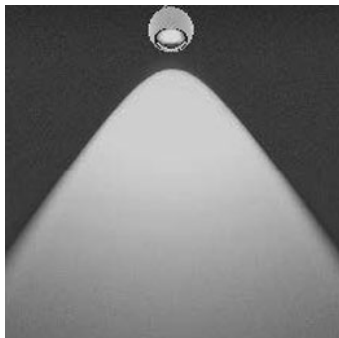
Manufacture:	Occhio
Designer:	Axel Meise
Material:	Aluminium
Finish:	Matt Black / Gloss White / Matt White
Width:	130mm Ø
Depth:	88 - 110mm
Weight:	3.5Kg

Electrical Spec –

Mounting:	Ceiling
Lamp:	LED
Degree:	Please see next page
Wattage:	18W
Lumens:	Please see next page
Kelvin:	2700K / 3000K
CRI:	97
Transformer:	Integral
Voltage:	230V
Dimming:	Trailing Edge
IP Rating:	IP65

Other –

Family:	Wall
---------	------



C80 Contour –

Use:	Scattered light with contour beam angle (approx. 80°)
inserts:	Spherical glass Small lens high
Beam Degree:	80°
Output:	1100lm



S80 Soft –

Use:	Scattered light with soft contour beam angle (approx. 80°)
inserts:	Spherical glass Small lens high Soft edge glass
Beam Degree:	80°
Output:	980lm



S40 Soft –

Use:	Scattered light with soft contour beam angle (approx. 40°)
inserts:	Spherical glass Small lens high Fresnel lens
Beam Degree:	40°
Output:	870lm